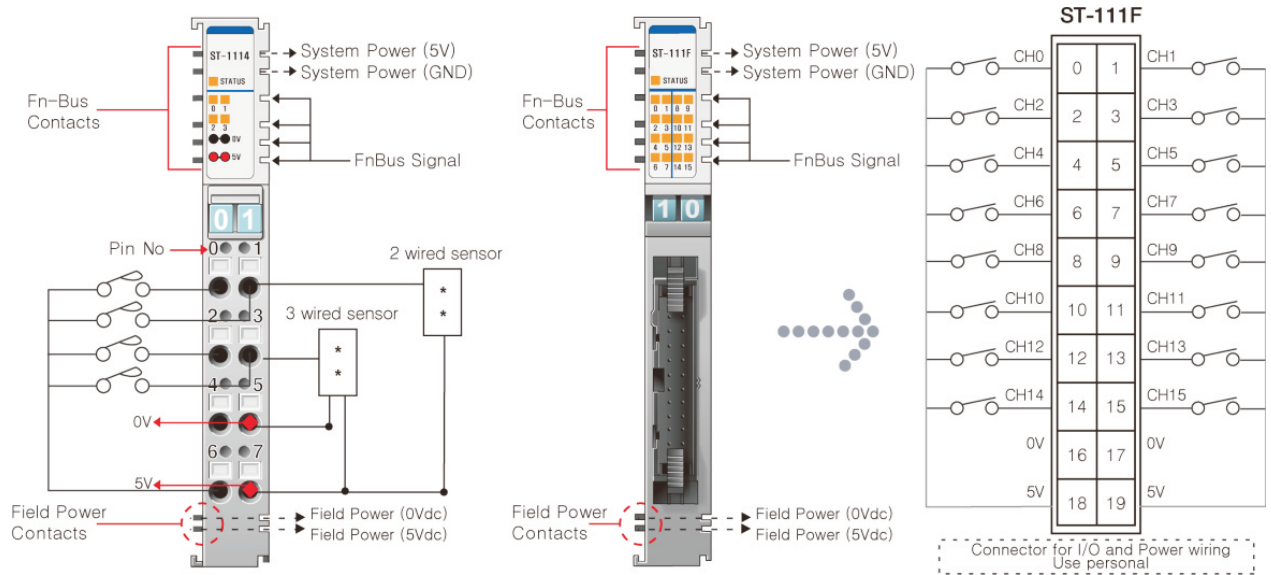


ST-1114, ST-111F

5Vdc, 4/16 Points, Sink(Positive), Terminal/20P Connector



Item	ST-1114	ST-111F
Input Specification		
Inputs Per Module	4 Points Sink Type(Positive Logic)	16 Points Sink Type(Positive Logic)
Indicators	4 Green Input States, 1 Green/Red Fn-Bus State	16 Green Input States, 1 Green/Red Fn-Bus State
ON-state Voltage	5Vdc nominal Min. 2.4Vdc ~ Max. 5.5Vdc	5Vdc nominal Min. 4.5Vdc ~ Max. 5.5Vdc
Min. OFF-state Voltage	Max. 0.8Vdc	
ON-state Current	Max. 4.5mA / Point @5.5Vdc	
Input Signal Delay	OFF to ON : Max. 0.5ms / ON to OFF : Max. 0.5ms	Max. 3ms
Nominal Input Impedance	Typ. 1.3K Ω	Typ. 1K Ω
Filtering Time	Typ. 1.5ms (software filtering)	
Common Type	4 Points / 2COM (Single Common)	16 Points / 2COM (Single Common)
General Specification		
Power Dissipation	Max. 35mA @5.0Vdc	Max. 45mA @5.0Vdc
Isolation	I/O to Logic : Photocoupler Isolation	
Field Power	Supply Voltage : 5Vdc nominal Voltage Range : 4.5~5.5Vdc	Supply Voltage : 5Vdc nominal Voltage Range : 4.5~5.5Vdc Power Dissipation : Max. 70mA@5Vdc
Wiring	I/O Cable Max. 2.0mm(AWG 14)	Connector Type, up to AWG22 Module Connector : HIF3BA-20D-2.54DSA
Weight	70g	
Module Size	12mm x 99mm x 70mm	
Environment Condition	Refer to " Environment Specification"(page : 1-191)	
Pin No.	Description	Description
0	Input Channel 0	Input Channel 0
1	Input Channel 1	Input Channel 1
2	Input Channel 2	Input Channel 2
3	Input Channel 3	Input Channel 3
4	Field Ground (0V)	Input Channel 4
5	Field Ground (0V)	Input Channel 5
6	Field Power (+5Vdc)	Input Channel 6
7	Field Power (+5Vdc)	Input Channel 7
8	-	Input Channel 8
9	-	Input Channel 9
10	-	Input Channel 10
11	-	Input Channel 11
12	-	Input Channel 12
13	-	Input Channel 13
14	-	Input Channel 14
15	-	Input Channel 15
16	-	Field Ground (0V)
17	-	Field Ground (0V)
18	-	Field Power (+5Vdc)
19	-	Field Power (+5Vdc)